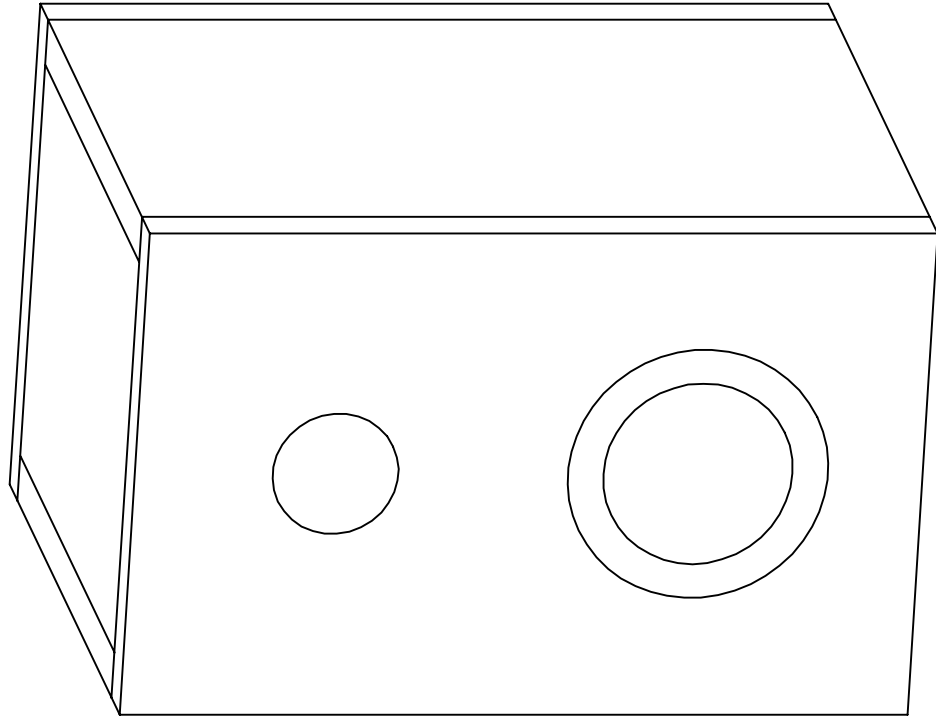


FRONT VIEW



REAR VIEW

UNLESS OTHERWISE SPECIFIED
DIMENSIONS ARE IN INCHES

TOLERANCES:

- X.X +/-0.050
- X.XX +/-0.005
- X.XXX +/-0.001

DESIGNER: **D MURPHY**

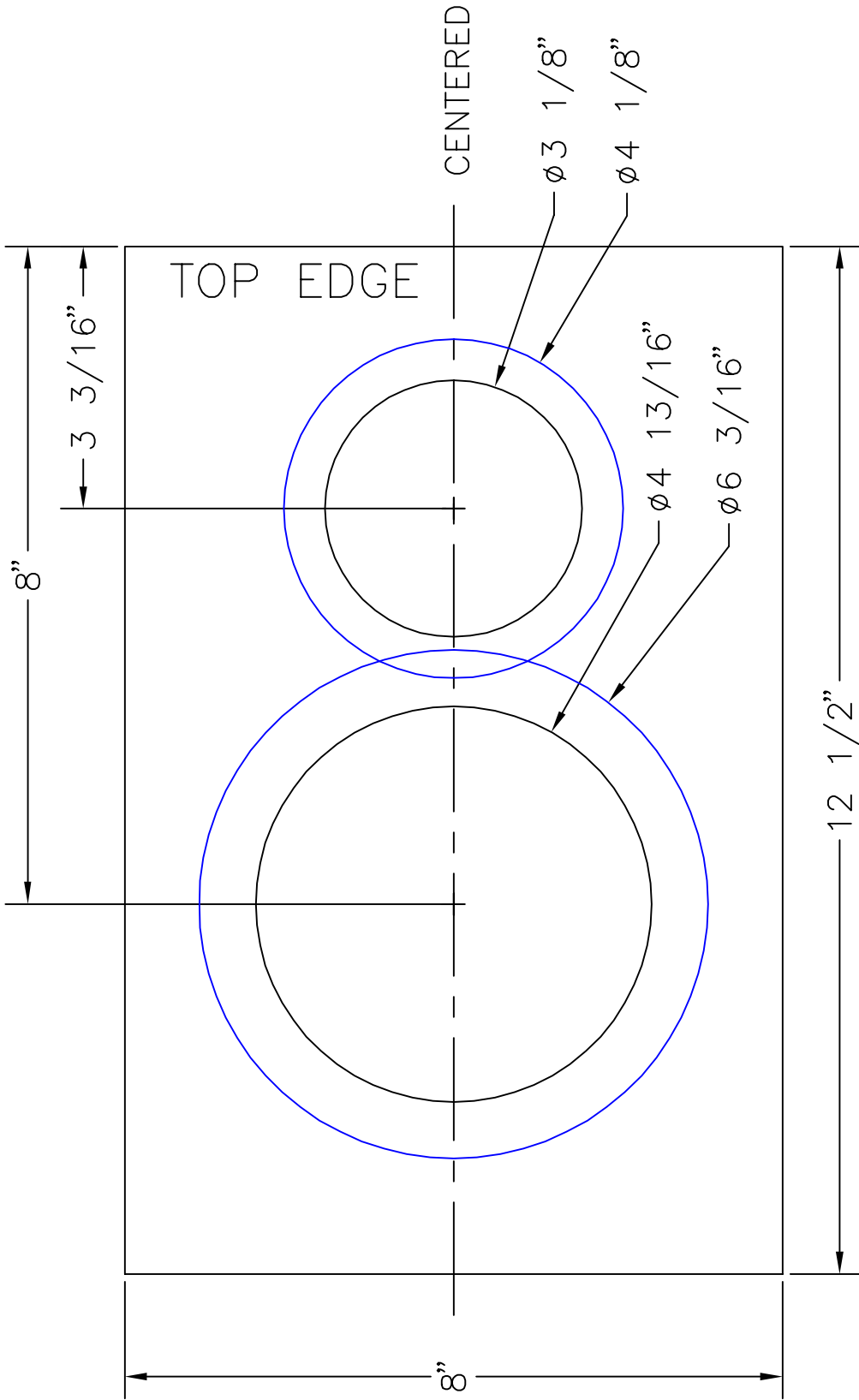
DATE: **4/10/01**

MurphyBlaster Prod.

TITLE: **SPCA ENCLOSURE**

CONSTRUCTION OVERVIEW

SIZE	MATL	DWG. NO.	REV.
A	MDF	SPCA - 001	1
SCALE	WEIGHT	SHEET 1 of 5	
N / A	N/A lbs		



UNLESS OTHERWISE SPECIFIED
DIMENSIONS ARE IN INCHES

TOLERANCES:

X.X ±.050
X.XX ±.005
X.XXX ±.001

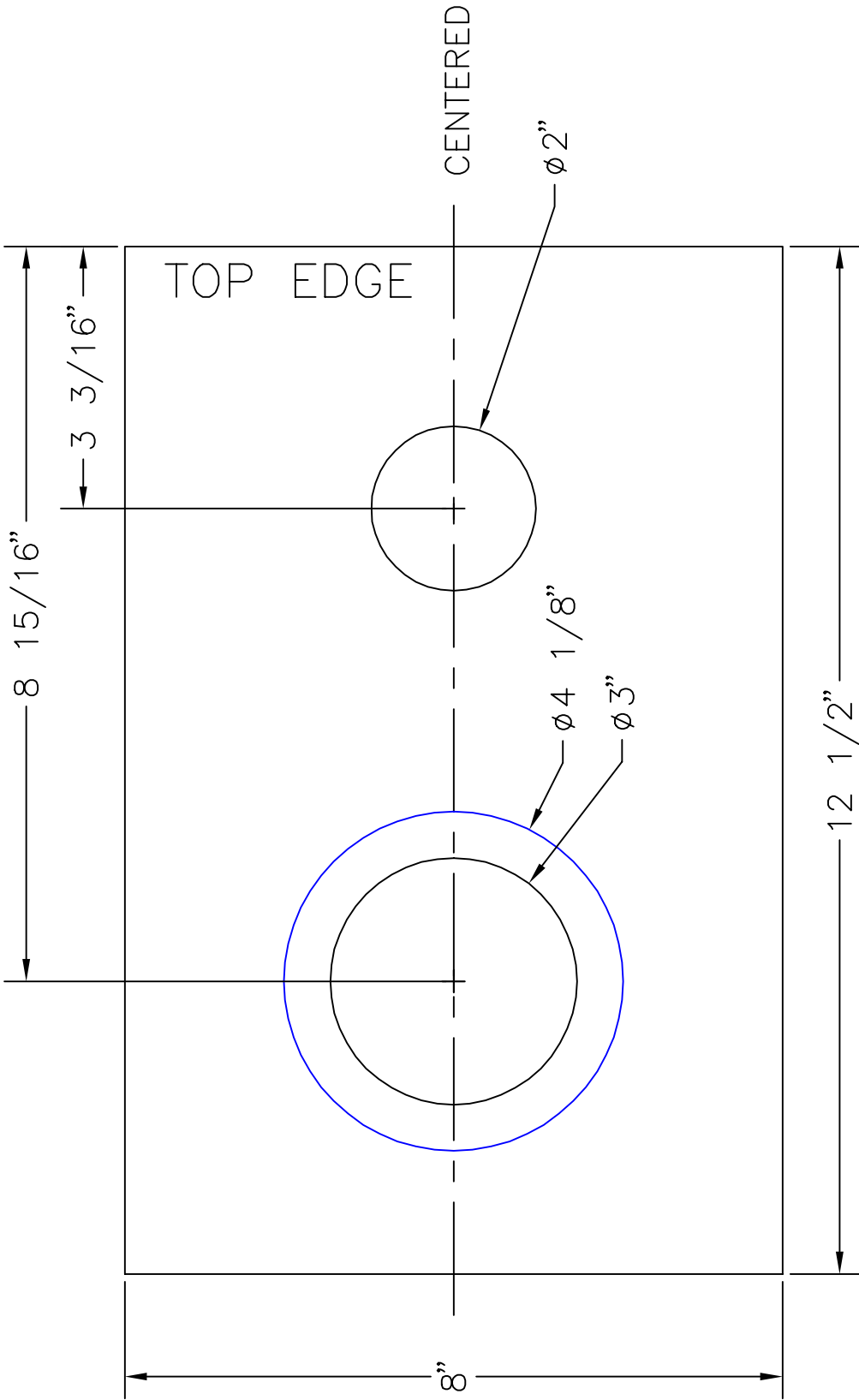
DESIGNER: **D MURPHY**

DATE: **4/10/01**

MurphyBlaster Prod.

TITLE: **SPCA ENCLOSURE
FRONT BAFFLE**

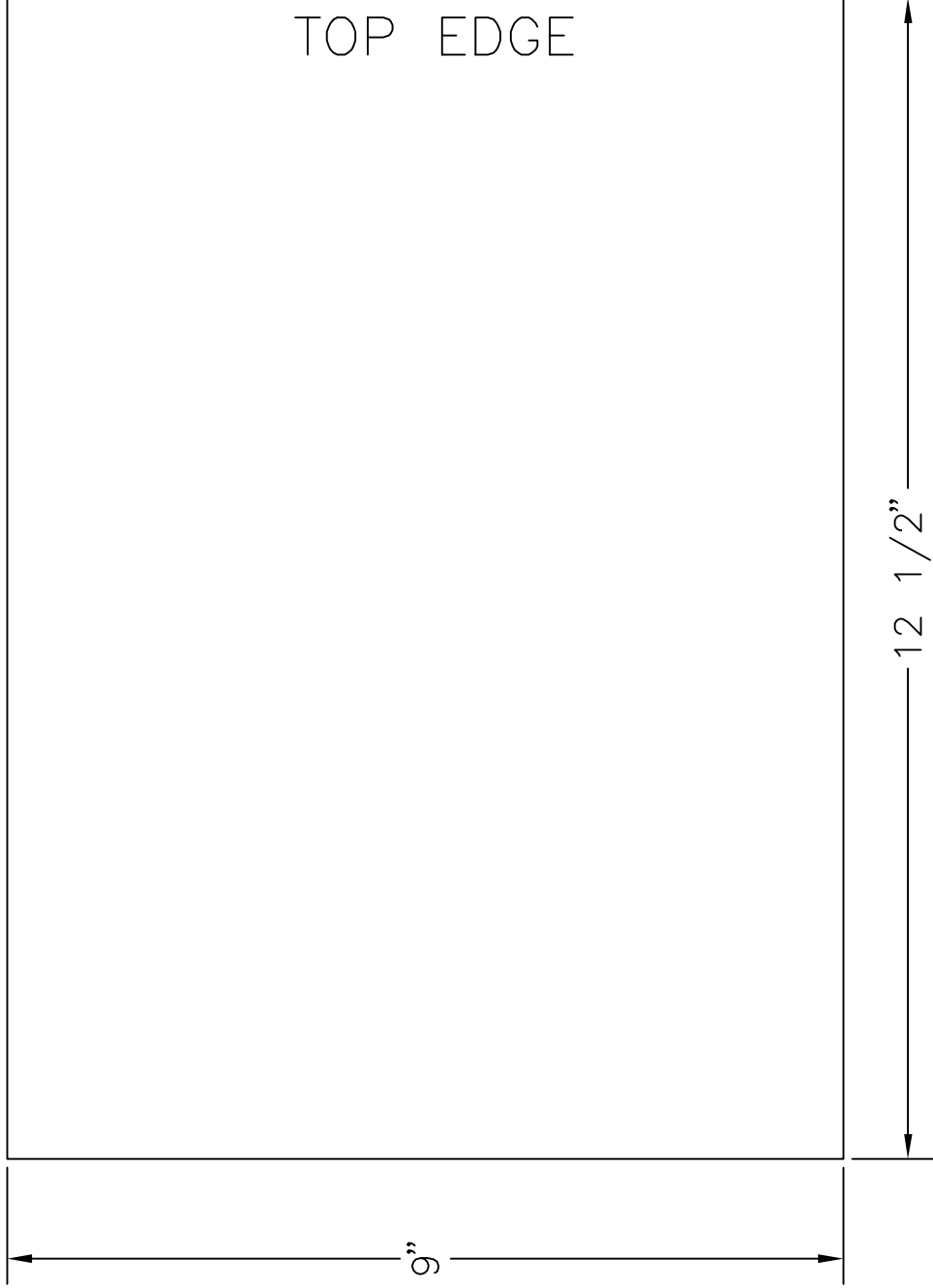
SIZE	MATL	DWG. NO.	REV.
A	MDF	SPCA - 002	1
SCALE	1 = 2	WEIGHT	N/A lbs
			SHEET 2 of 5



MurphyBlaster Prod.

TITLE: SPCA ENCLOSURE
REAR PANEL

UNLESS OTHERWISE SPECIFIED DIMENSIONS ARE IN INCHES	TOLERANCES:		SIZE	MATERIAL	DWG. NO.	REV.
	X.X	+/-0.050				
	X.XX	+/-0.005				
	X.XXX	+/-0.001				
DESIGNER:	D MURPHY					
DATE:	4/10/01					
	SCALE	1 = 2	WEIGHT	N/A lbs		SHEET 3 of 5

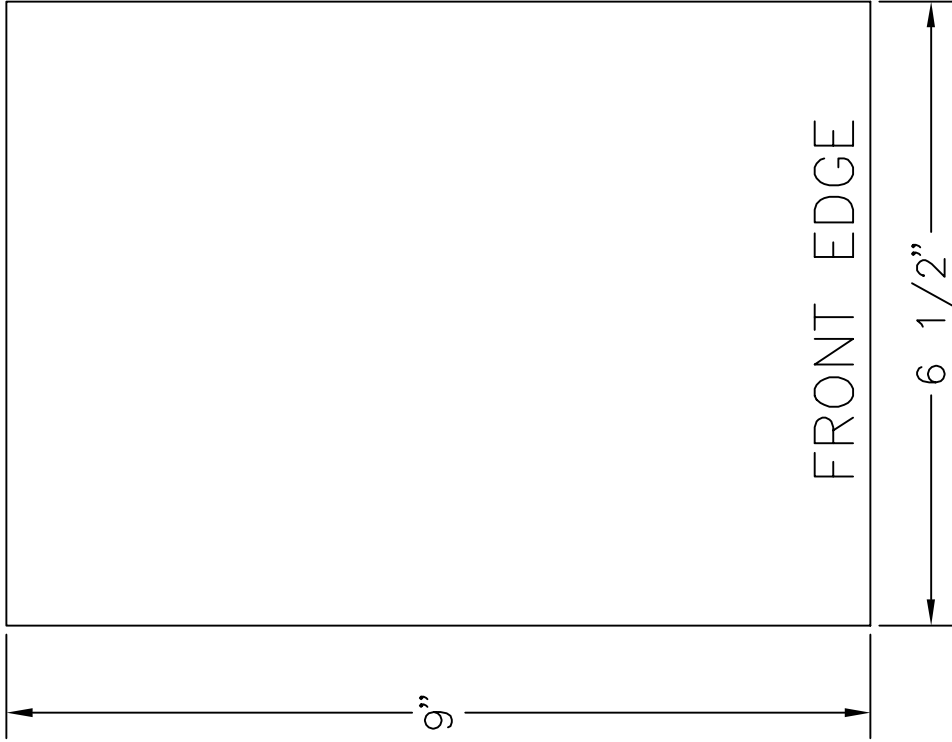


NOTE: MAKE TWO (2)
AS DRAWN

MurphyBlaster Prod.

TITLE: SPCA ENCLOSURE
SIDE PANELS

UNLESS OTHERWISE SPECIFIED DIMENSIONS ARE IN INCHES		SIZE	MATL	DWG. NO.	REV.
TOLERANCES:		A	MDF	SPCA - 004	1
X.X	+/-0.050				
X.XX	+/-0.005				
X.XXX	+/-0.001				
DESIGNER:	D MURPHY				
DATE:	4/10/01	SCALE	1 = 2	WEIGHT	N/A lbs
		SHEET 4 of 5			



NOTE: MAKE TWO (2)
AS DRAWN

MurphyBlaster Prod.

TITLE: SPCA ENCLOSURE
TOP / BOTTOM PANELS

UNLESS OTHERWISE SPECIFIED DIMENSIONS ARE IN INCHES TOLERANCES: X.X +/-0.050 X.XX +/-0.005 X.XXX +/-0.001	DESIGNER:	D MURPHY	
	DATE:	4/10/01	
SIZE	MATL	DWG. NO.	REV.
A	MDF	SPCA - 005	1
SCALE	1 = 2	WEIGHT	N/A lbs
			SHEET 5 of 5